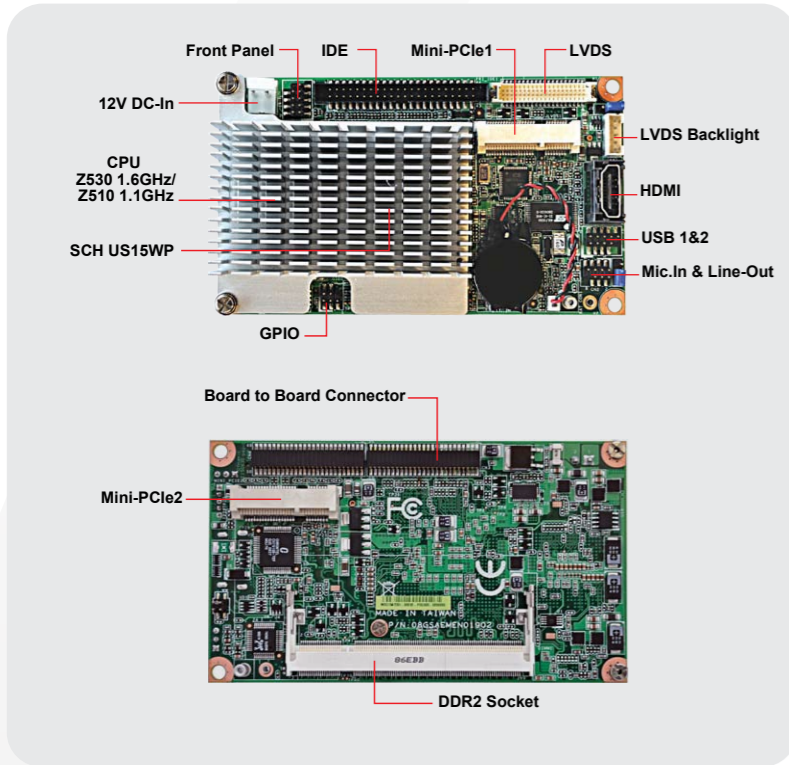


NX15MXL2

2.5" SBC



NX15MXL2

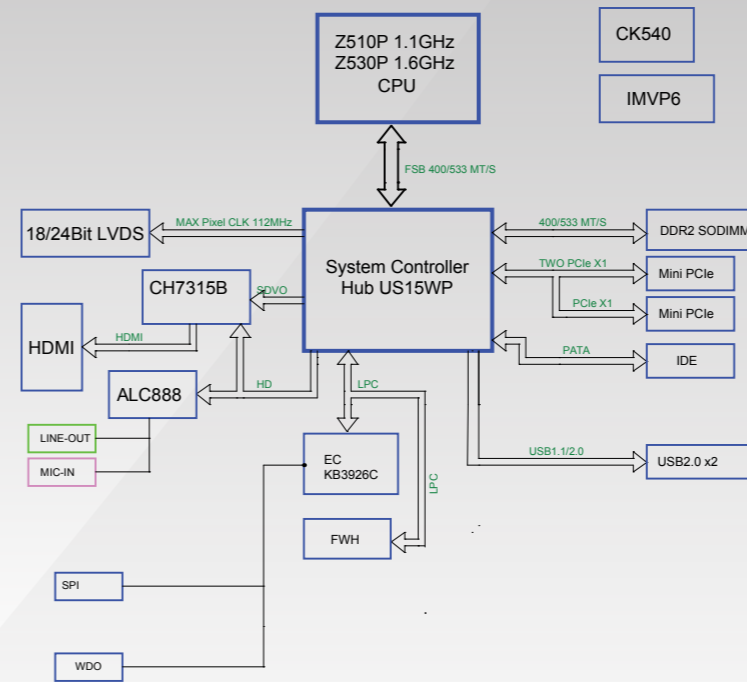


Features

- Intel® Atom™ processor Z510P 1.1GHz/Z530P 1.6GHz (400/533 MT/s MHz FSB)
- Intel® System Controller Hub US15WP
- One 200-pin SO-DIMM 2 GB DDR2 400/533 org.x16 SDRAM
- Dual Display for LVDS & HDMI
- Realtek ALC 888 7.1 Channel High Definition Audio Codec
- 2 x Mini PCI-E
- 2 x USB, 2 x DI, 2 x DO, IDE, Mic in/Line out



Block Diagram



Ordering Information

NX15MXL2

Intel Atom™ processor Z510P 1.1GHz/Z530P 1.6GHz 2.5" Motherboard with ,LVDS, HDMI, Audio, Mini PCI-E, 1 PATA, 2 USB & 4-bit DIO

Packing List of NX15MXL2

| | |
|---|-----|
| 80P-POU000-10000B2 NX15MXL2 1.1GHz 2.5" Motherboard | |
| 80P-POU000-10001B2 NX15MXL2 1.6GHz 2.5" Motherboard | |
| 14GS0000052S27 Flat Cable IDC 44P/2.0-ICD 44P/2.0 25cm x 1 | |
| 14GS0000063V04 USB cable PH=2.00mm | x 1 |
| 14GS1400019V04 Audio Cable | x 1 |
| 14GS1400020V04 Power Cable | x 1 |

Specifications

| System | |
|--------------------|---|
| CPU | Intel Atom™ processor Z510P 1.1GHz/Z530P 1.6GHz |
| FSB | 400/533 MHz |
| BIOS | Award 8 Mb FHW BIOS |
| System Chipset | Intel® System Controller Hub US15WP |
| System Memory | One 200-pin SO-DIMM 2 GB DDR2 400/533 org.x16 SDRAM |
| Watchdog Timer | Reset: 1 sec.~255 min. and 1 sec. or 1 min./step |
| H/W Status Monitor | Monitoring CPU Temperature Status. Auto Throttling Control When CPU Overheats. |
| Expansion | 2 x Mini PCI-E |
| DIO | 2 x DI, 2 x DO |
| S3/S4 | S3/S4/Never Sleep |

| Display | |
|----------------------|---|
| Chipset | Intel® System Controller Hub US15WP |
| Display Memory | Intel® Graphics Media Accelerator 500 (Intel® GMA 500) |
| Max Resolution | LVDS Display : 1366 x 768 @85 MHz Ext Display: 1920x1080 @ HDMI-to-HDMI 1440x1050 @ HDMI-to-DVI |
| Dual Display | Yes , LVDS+HDMI |
| LVDS | Yes, 18 or 24 bit Single Channel |
| LVDS Backlight power | Yes |
| HDMI | Supported |
| Audio | |
| Audio codec | Realtek ALC 888 7.1 Channel HD |
| Audio Interface | Line-Out & Mic.-In |

| Internal I/O Connector |
|---|
| * 1 x USB Connectors Support 2 USB Port |
| * 1 x 12V DC Power in Pin Header |
| * 1 x LVDS Connector |
| * IDE Connector |
| * Mic in/Line out |
| * 1 x HDMI |
| * 1 x GPIO Connector |

| Mechanical & Environmental | |
|----------------------------|---|
| Power Requirement | 36W |
| Power Type | 12V DC-in with Power Button and LED Pin Heade |
| Operating Temperature | 0-60°C(32-104°F) |
| Operating Humidity | 0%~90% Relative Humidity, Non-condensing |
| Size (L x W) | 120 mm x 70 mm |
| Weight | 0.15 lbs(70g) |

** The product information and specifications are subject to change without prior notice.
** All the rights of above logos and trademarks belong to their representative owners.

2.5"

www.bcmim.com.tw